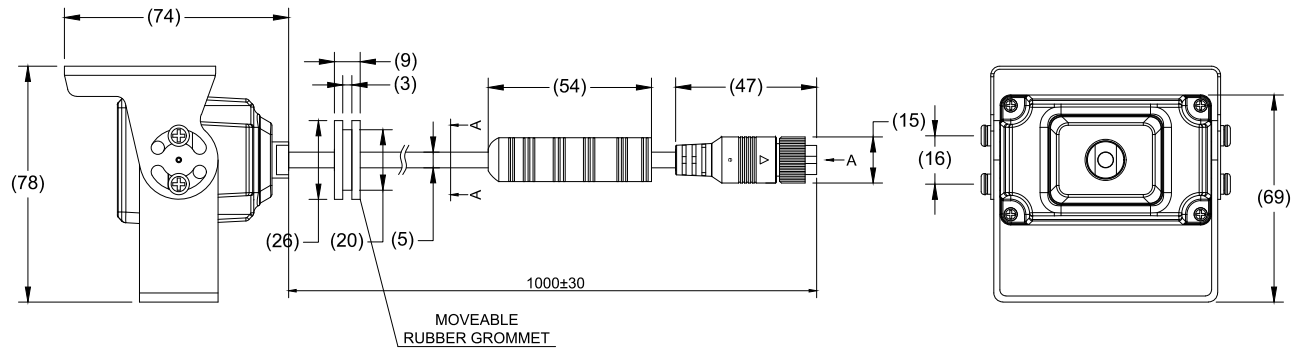
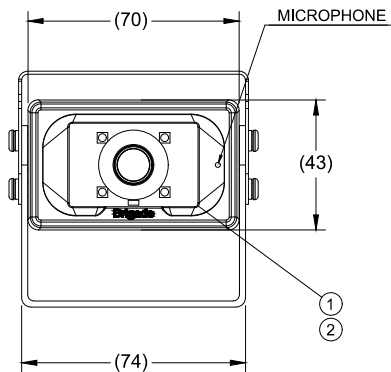
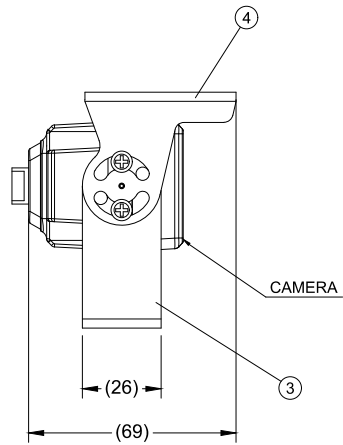
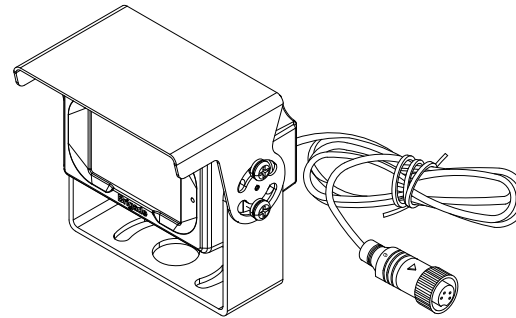
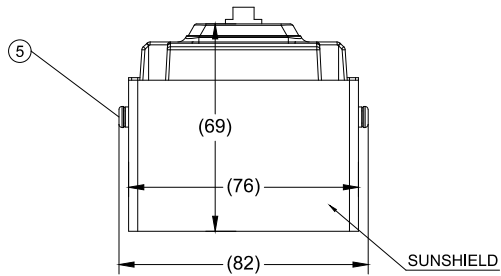


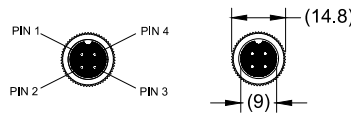
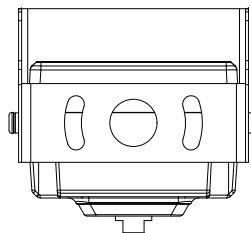
TABLE 1: - CAMERA ONLY OPTIONS

PART NO.	MODEL NO.	DESCRIPTION
8413	VBV-8100C	SELECT CAMERA, AUDIO, HD 1080P 25FPS (KR)
8414	VBV-8101C	SELECT CAMERA, AUDIO, HD 1080P 30FPS (KR)

Revision Notes.				
R1 -				
APA: -	Drawn:-	Checked:-	Approved:-	Date: -



VIEW A



4 PIN AVIATION FEMALE MATING FACE

PIN #	WIRE COLOUR	DESCRIPTION
1	RED	+12V
2	BLACK	GND
3	WHITE	AUDIO
4	YELLOW	VIDEO

TABLE 2: CAMERA KIT CONTENTS

ITEM	(1)	(2)	(3)	(4)	(5)	(6)
PART NO.	8416	8417	8432	8173	8434	8419
MODEL NO.	VBV-8100C-C	VBV-8101C-C	VBV-810XC-BKT	VBV-810XC-SS	VBV-810XC-FIX	VBV-810XC-IG
DESCRIPTION	SELECT CAMERA, AUDIO, HD 1080P 25fps (KR) - CAMERA ONLY	SELECT CAMERA, AUDIO, HD 1080P 30fps (KR) - CAMERA ONLY	VBV-810XC BRACKET	VBV-810XC SUNSHIELD	VBV-810XC FIXING KIT	VBV-810XC INSTALLATION GUIDE (NOT SHOWN)
VBV-8100C QTY.	1	-	1	1	1	1
VBV-8101C QTY.	-	1	1	1	1	1

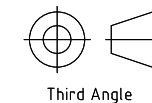
- NOTES:
 1. FOR LABEL AND PACKAGING DETAILS REFER TO MASTER BOM.
 2. ANY CUSTOMER MODIFICATION OF THIS PRODUCT CAUSING SUBSEQUENT FAILURE IS NOT A LIABILITY OF BRIGADE ELECTRONICS PLC.

PROPRIETARY NOTICE

THIS DESIGN AND TECHNICAL INFORMATION APPEARING ON THIS DRAWING IS THE PROPERTY OF BRIGADE ELECTRONICS, AND IS DISCLOSED IN CONFIDENCE. IT IS NOT TO BE COPIED, REPRODUCED, REVEALED TO OR EXPROPRIATED BY OTHERS, EITHER IN WHOLE OR IN PART WITHOUT THE EXPRESS WRITTEN CONSENT OF BRIGADE ELECTRONICS.

Sheet 1 of 1	Assembly Pl Approval T. CHOI	Approved by S. LAWAL	Checked by E. MATHEW	Drawn by J. YU
--------------	------------------------------	----------------------	----------------------	----------------

Customer Approval N/A	Angle of Projection	Units mm	Scale N/A	Released 28/11/25	Assembly Ref -
-----------------------	---------------------	----------	-----------	-------------------	----------------



Status RELEASED	VBV-810XC
Part No SEE TABLE 1	BE-005102-00-25